

Gardner
Denver

HYDRAULIC DRIVE COOLING SYSTEMS

MH5 Series **Hydrapak**[®]





MH5 Series Hydrapak

The MH5 Hydrapak is a compact, lightweight, highly efficient hydraulic control system aimed for use in high horsepower and high flow mobile hydraulic drive systems. Operating with virtually no maintenance, this easy install system weighs hundreds of pounds less than a conventional reservoir type system.



Features & Benefits

- Durable, heavy-duty stainless steel mainframe
- Designed to withstand vibration, road shock, torsional and thermal stress
- Multi-ported design reduces the need for hoses, fitting & external connections



MH5 Hydrapak

- Flow rate to 60 gpm
- Pressure rated to 3000 psi
- 4.4 gallon reservoir
- Weight: 94 lbs. dry

Optional Equipment:

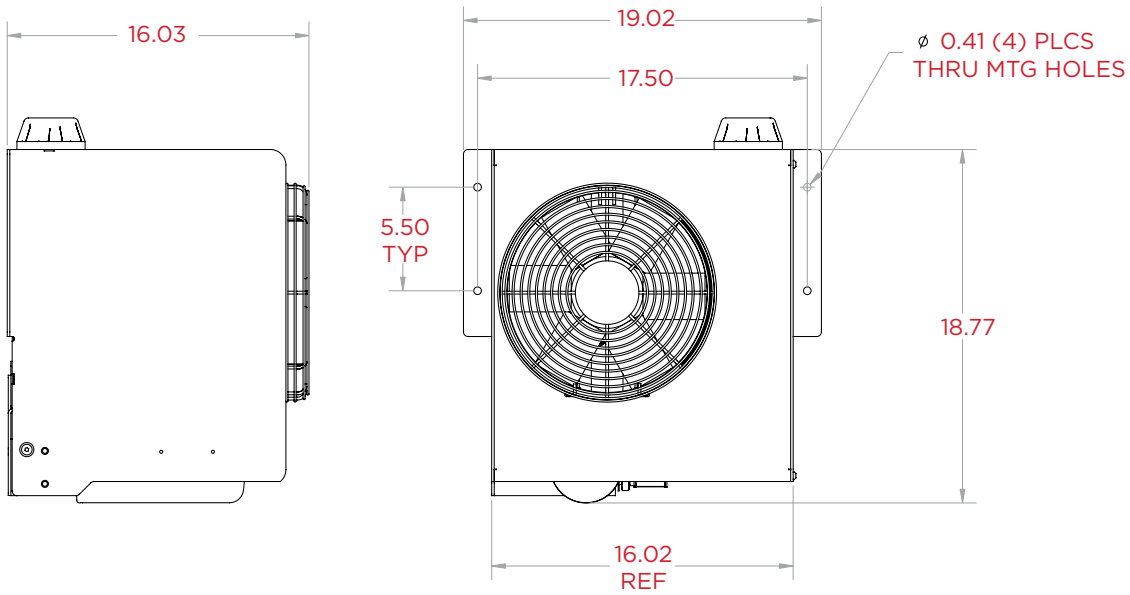
- Oil heater kit
- Diagnostic test point kit
- Pressure cap
- Bulk feed specification
- Non-Vented cap for cylinder applications

Applications

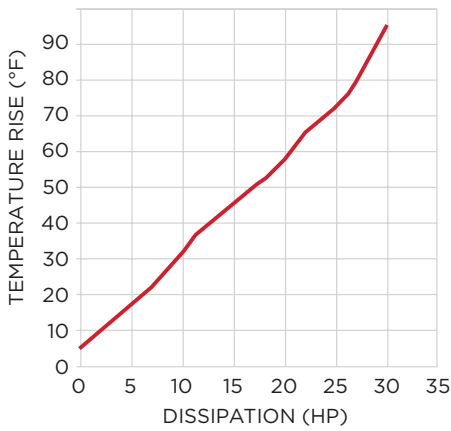
- Crude Oil Transports
- LP Gas Transports
- LP Gas Bobtails
- Food & Chemical Transports
- Bulk Feed
- Lube Trucks
- Maintenance Trucks
- Hydraulic Winch Drives
- Utility Equipment
- Agriculture Equipment
- Mining Equipment
- Water Trucks
- CO₂ Delivery Trucks
- Vacuum Trucks
- Live Floor



DIMENSIONS: MH5 HYDRAPAK



PERFORMANCE: MH5 HYDRAPAK*



*Performance curve is for reference only. Actual performance may vary based on system design, environment, and maintenance.



The leader in every market we serve
by continuously improving all business processes
with a focus on innovation and velocity

**Gardner
Denver**[®]


Gardner Denver, Inc.

1800 Gardner Expressway
Quincy, IL 62305
866-376-8181

www.gardnerdenver.com/gdproducts



©2019 Gardner Denver, Inc. Printed in U.S.A.
GDT-MH5-HP 2nd Ed. 8/19

 Please recycle after use.