

# DH5 Hydrapak®

## Hydraulic Drive Cooling System

A compact, lightweight, highly efficient hydraulic control module for the operation of high horsepower and high flow mobile hydraulic drive systems.

The DH5 Hydrapak® allows continuous high horsepower operation by controlling your systems oil temperature and hydraulic pressure while providing return line oil filtration.

The DH5 Hydrapak® is easy to install, operates with virtually no maintenance, and weighs hundreds of pounds less than conventional reservoir type systems.



### DH5 Hydrapak®

- Flow rate to 45 gpm
- Pressure from 2500 to 5000 psig
- Supports systems up to 110 input HP

### Features

- Heavy-duty stainless steel mainframe for durability and long life.
- 5.0 gallon oil reservoir with integral diffuser, which eliminates foaming and vortexing for increased hydraulic component life.
- High efficiency, heavy-duty oil cooler, designed to withstand vibration/road shock/thermal stress for maximum reliability.
- High performance hydraulic motor drives the fan. This assembly is mounted into a specially designed shroud and matched to the radiator for maximum cooling efficiency.
- Anodized aluminum manifold block is designed to control hydraulic pressure and temperature while providing return line filtration for your system. The multi-ported design reduces hoses, fittings and external connections.

### The Manifold Block Incorporates

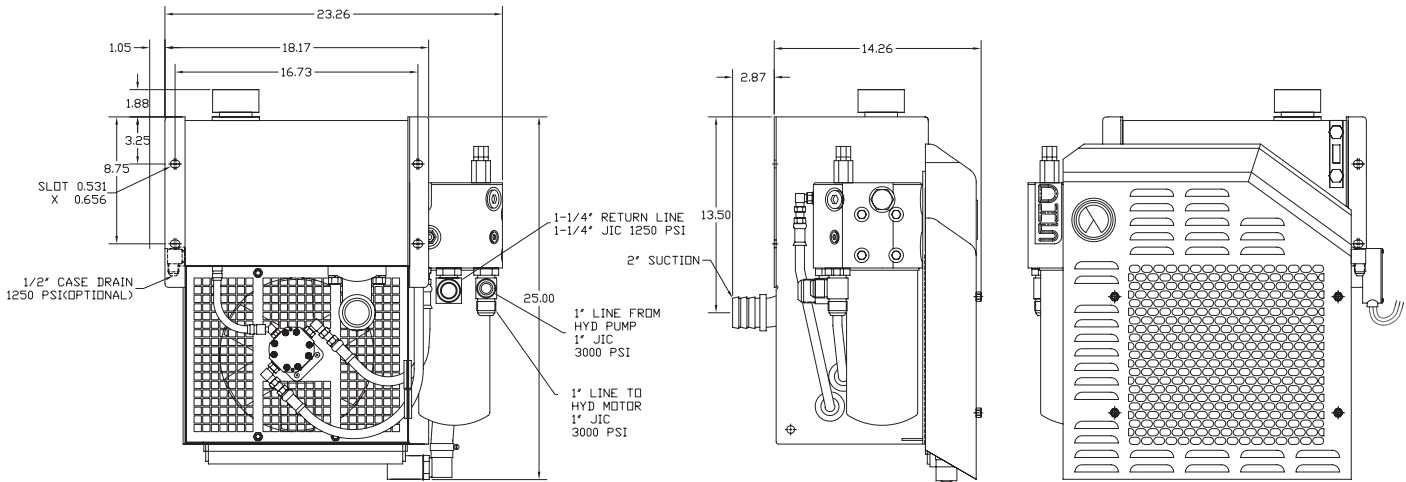
- **Relief Valve** – dirt tolerant, rapid response valve delivers a relief in emergency situations
- **Flow Control Valve** – delivers uniform flow to the fan motor for maximum air-cooling efficiency
- **Filter Bypass Valve** – protects the filter against over pressurization caused by cold oil or a blocked element
  - This valve is incorporated into the control block, eliminating expensive filter/check valve combination filters
- **Micronic Filter** – standard spin-on design with  $B_{17}=75$  element, for longer hydraulic component life
- **Filter Restriction Gauge** – silicon liquid-filled indicates filter element condition

**GD**  
**GARDNER DENVER**

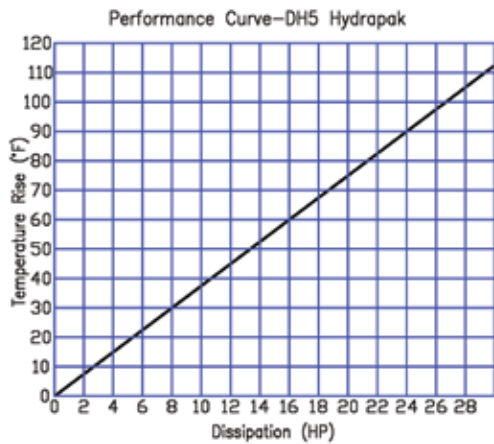
*Experience Proven Results*

# DH5 Hydrapak® Hydraulic Drive Cooling System

## Dimensions



## Performance



## Optional Equipment

- Double 1½" Suction Elbow
- Oil heater kit
- Bolt on electronic control block option
- Diagnostic test point kit
- Pressure cap
- Bulk feed specification

As a part of a continuous commitment to product development the company reserves the right to alter the specification of its products without prior notice.

# Gardner Denver



www.GardnerDenverProducts.com mobilesolutions@gardnerdenver.com

Gardner Denver, Inc. 1800 Gardner Expressway, Quincy, IL 62305  
Telephone: (866) 376-8181 FAX: (217) 221-8780

©2015 Gardner Denver, Inc. Printed in U.S.A. GDT-DH5-HDCS 1st Ed. 8/15

